

Artweger[®]

The fine ART of bathing

BODY+SOUL
ELEMENTS OF BALANCE

PRE-INSTALLATION DOCUMENTS

VM_Brosch_B+S_11820_01_15



Pre-assembly documents

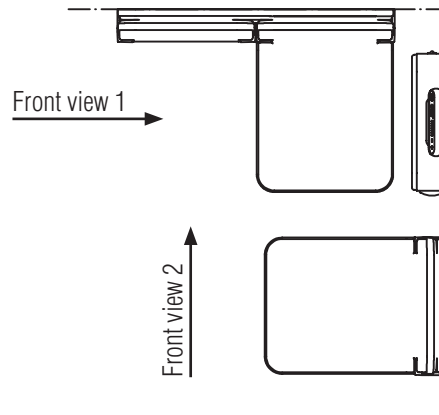
ATTENTION!

- Take care to insulate the wall sufficiently including moisture barrier before installing the BODY + SOUL shower. Otherwise a comfortable operational temperature cannot be ensured. **Maximum room volume 2.6 m³.**
- Take care that the on-site preparations conform to ÖNORM B 2207 (standard for moisture sealing and tiling). (Seal the splash area and the entire floor area with liquid sealing foil!)
- Both walls onto which the BODY+SOUL are installed must be at exactly a 90-degree angle to each other!
Suitable fastening materials recommended by the manufacturers must be used for special walls (e.g. aerated concrete).
- In compliance with the standard **EN 1717** a backflow preventer is to be installed before the steam box.



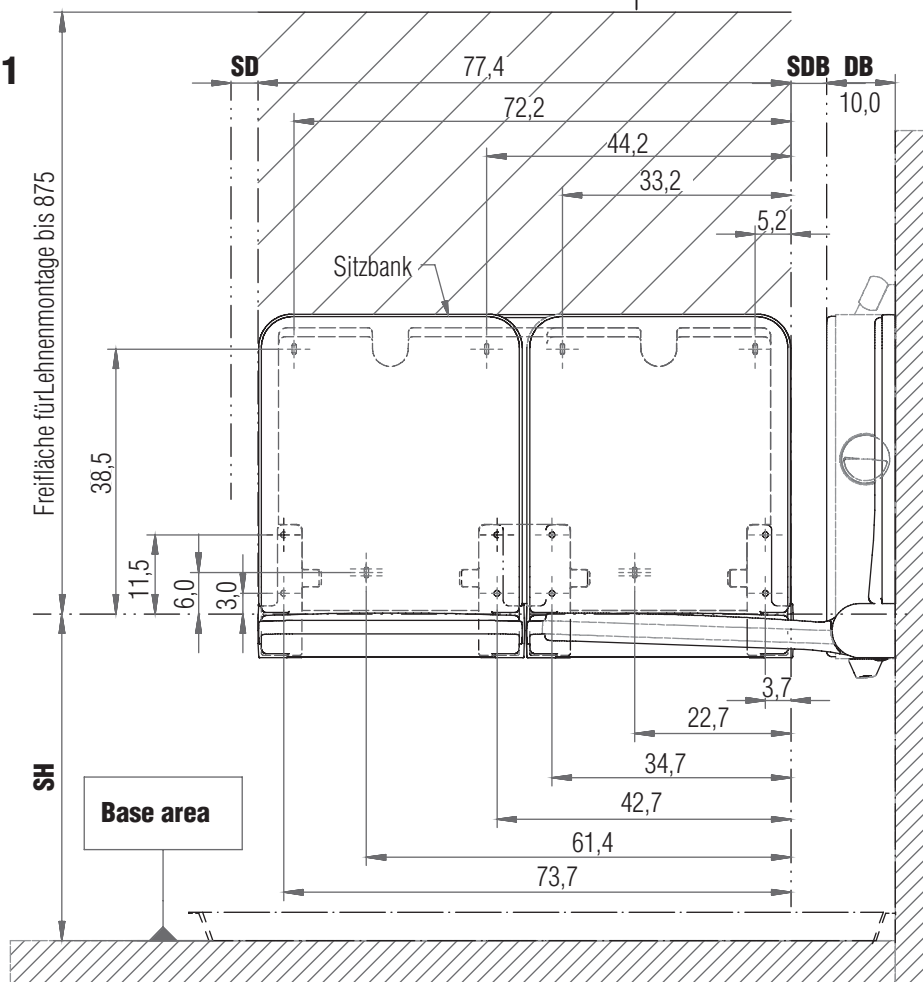
- The electrical installation may only be carried out by a certified specialist observing the statutory guidelines as well as the national installation regulations (e.g. EN 1-4 §49 in Austria and DIN VDE 0100-701 in Germany) as most recently issued.
- Conduit for power supply (20 mm/0.8 in. diam. min., lay at least 5 cm/2 in. deep). Line must lead over bipolar switch, which is in at least safety zone 3! Include empty conduit for external audio and antenna signal
- Wiring over FI circuit breaker RCD I Δ n ≤30 mA. Power supply 230V / 50/60 Hz. Fuse: 16A. Wattage: 3.4 kW. Protective grounding must be constantly attached at the fixed installed line.

Drilling Position BODY+SOUL STEAM BOX, SEAT FOR ONE AND BENCH
(NICHT ZUM VORBOHREN GEEIGNET!)



All measurements in cm!

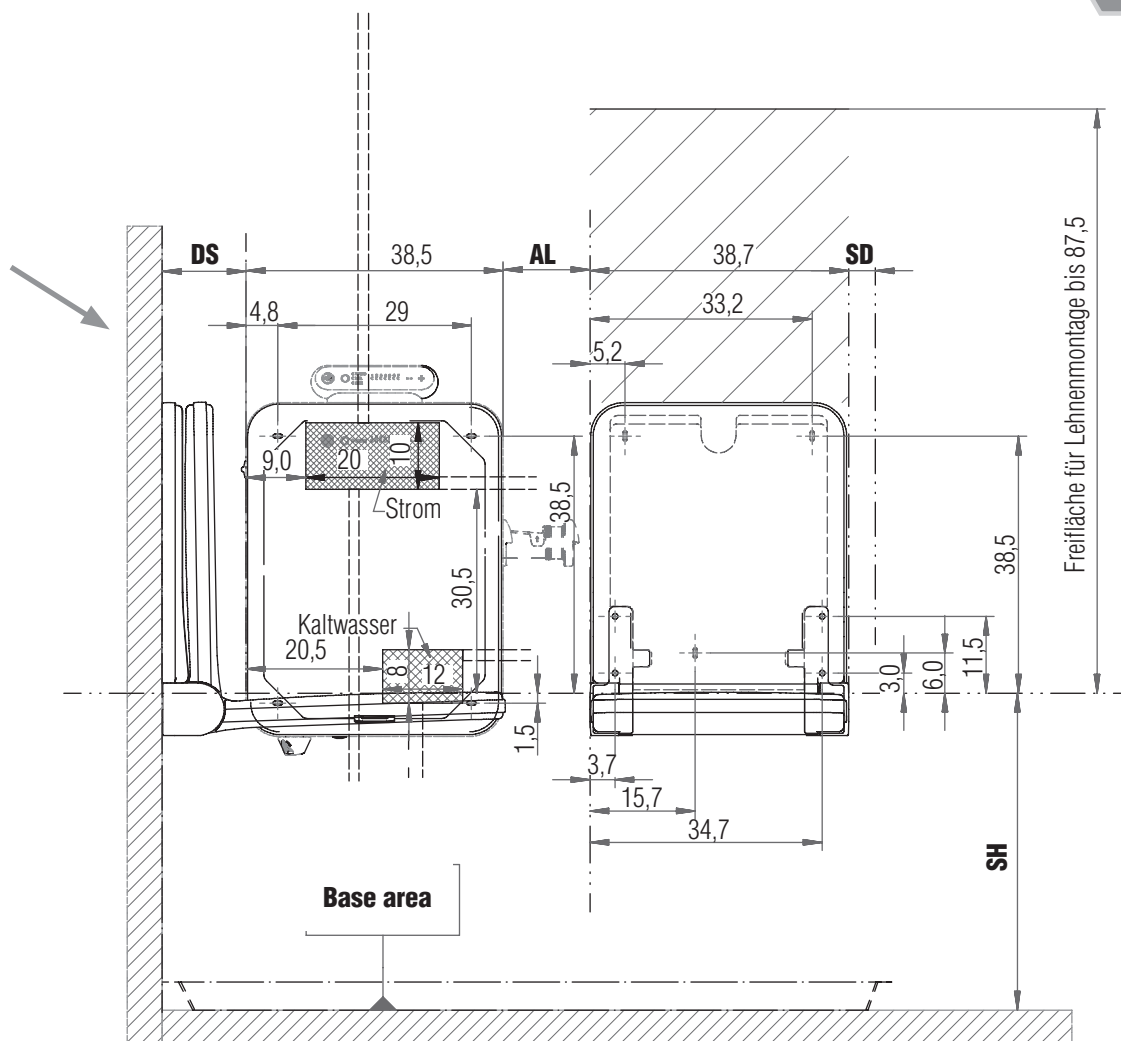
FRONT VIEW 1



Installation dimensions			
		Artweger recommendation	Individual mounting
SH	Seating height	47,5 cm	
MS	Mounting height of seat/bench (SH + 1cm)		
D	Distance bt. wall and steam box	12,5 cm	
S1	Distance bt. wall and seat	15,5 cm	
S2	Distance bt. wall and seat after steam box		

FRONT VIEW 2

All measurements
in cm!

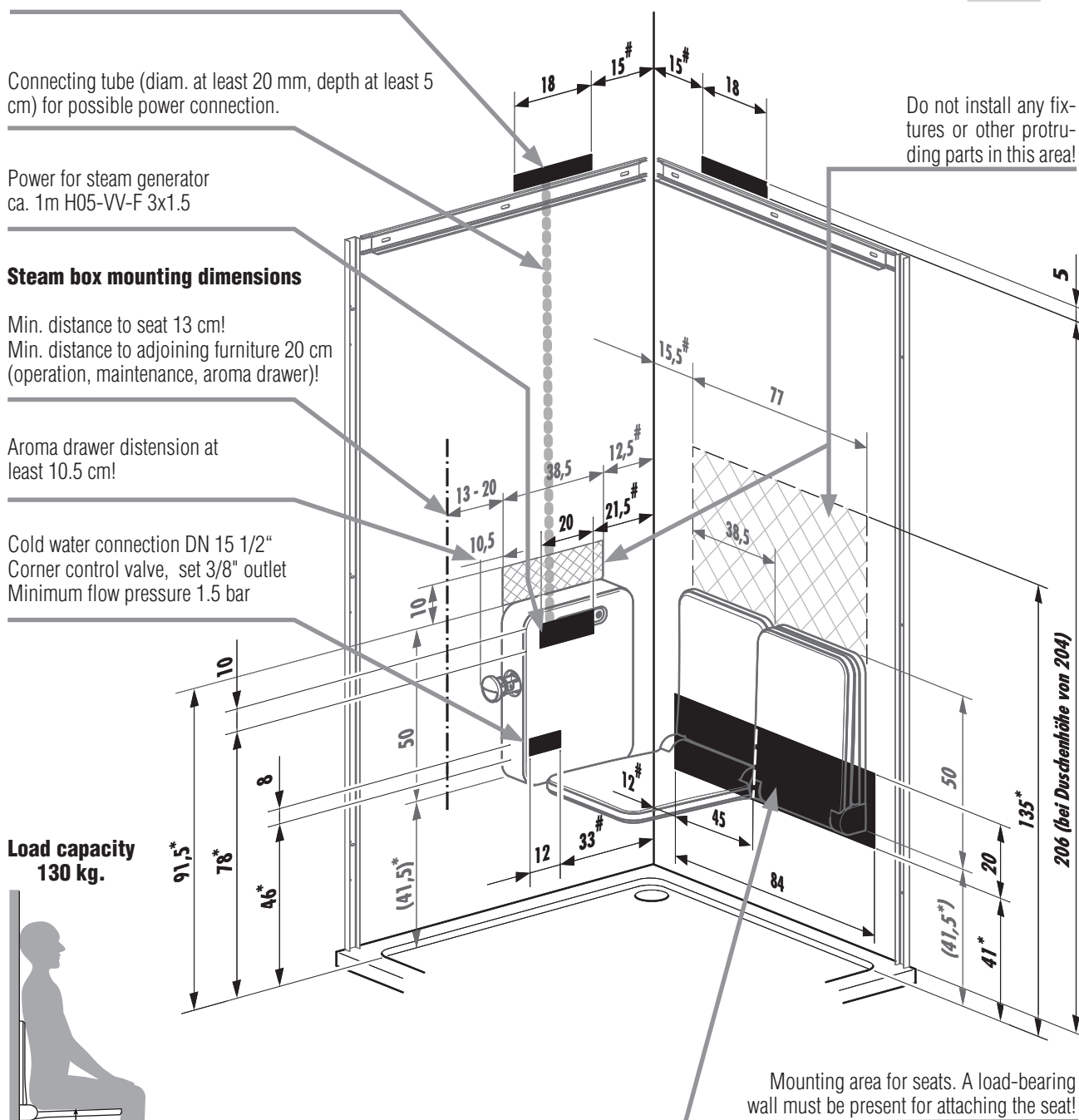


Installation dimensions			
		Artweger recommendation	Individual mounting
SH	Seating height	47,5 cm	
MS	Mounting height of seat/bench (SH + 1cm)		
D	Distance bt. wall and steam box	12,5 cm	
S1	Distance bt. wall and seat	15,5 cm	
S2	Distance bt. wall and seat after steam box		

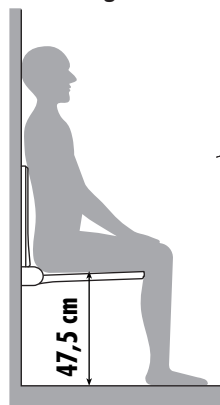
Recommended connection areas STEAM BOX LEFT

Mixed water for overhead showerhead DN 15 1/2"
Power for audio and light - ca. 1m H05-VV-F 3x1.5
Antenna for audio (Optional):
AUX signal over 3.5 mm stereo jack
MP4 signal over USB type A

All mea-
surements
in cm!



Load capacity
130 kg.



* ... dimensions from standing surface with seat height **47.5 cm!**
... recommended min. dimensions from finished wall

Recommended connection areas STEAM BOX RIGHT

All measurements in cm!

Do not install any fixtures or other protruding parts in this area!

Mixed water for overhead showerhead DN 15 1/2"
Power for audio and light - ca. 1m H05-VV-F 3x1.5
Antenna for audio (Optional):
AUX signal over 3.5 mm stereo jack
MP4 signal over USB type A

Connecting tube (diam. at least 20 mm, depth at least 5 cm) for possible power connection.

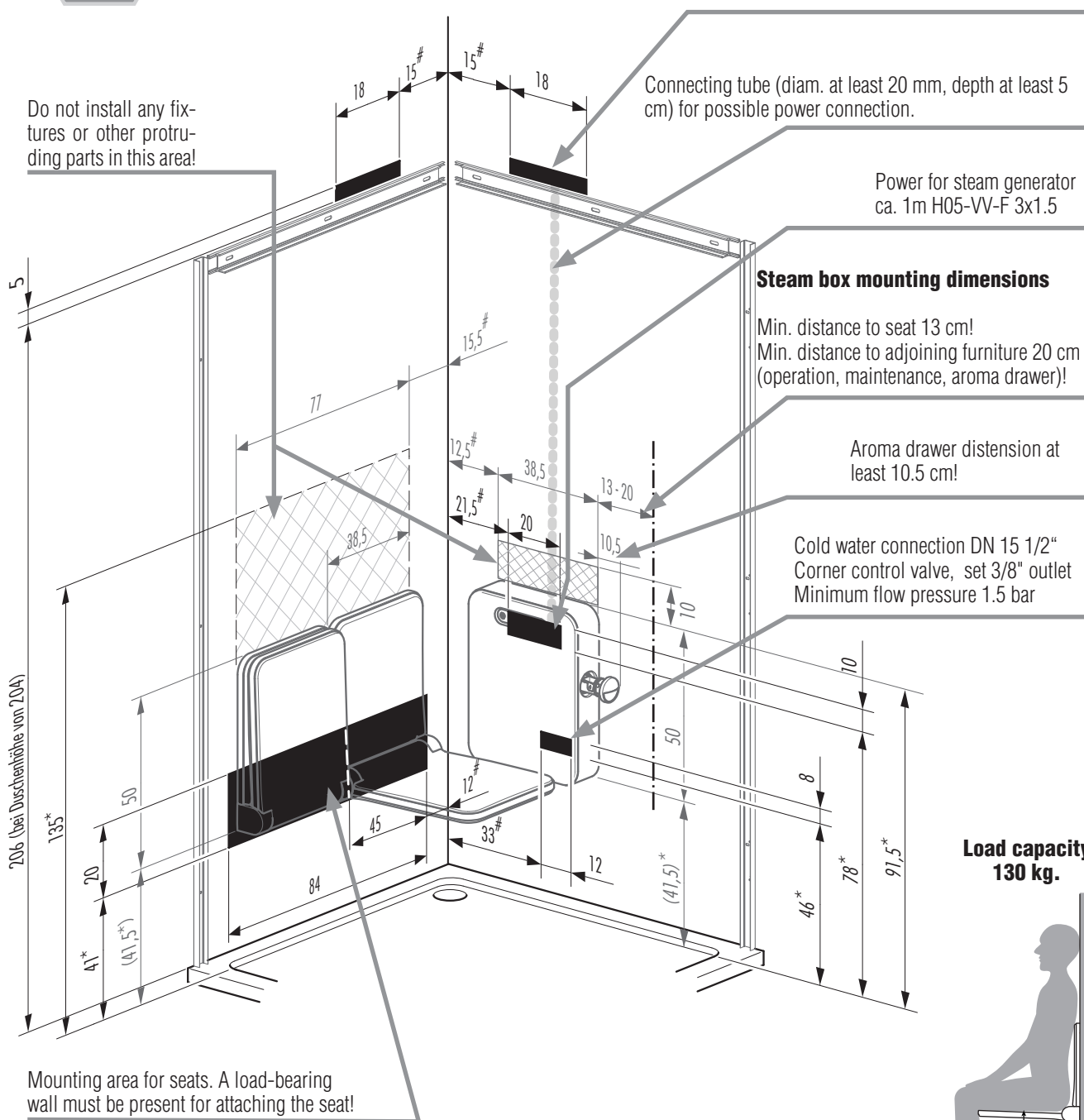
Power for steam generator ca. 1m H05-VV-F 3x1.5

Steam box mounting dimensions

Min. distance to seat 13 cm!
Min. distance to adjoining furniture 20 cm (operation, maintenance, aroma drawer)!

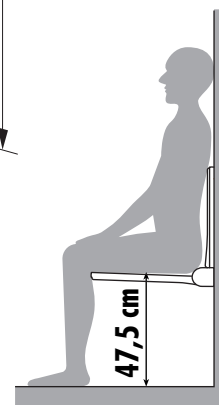
Aroma drawer dimension at least 10.5 cm!

Cold water connection DN 15 1/2"
Corner control valve, set 3/8" outlet
Minimum flow pressure 1.5 bar



Mounting area for seats. A load-bearing wall must be present for attaching the seat!

Load capacity 130 kg.



* ... dimensions from standing surface with seat height **47.5 cm!**
... recommended min. dimensions from finished wall

Artweger[®]

The fine ART of bathing

AUSTRIA

Artweger GmbH. & Co. KG

Sulzbach 159

4820 Bad Ischl, AUSTRIA

Tel.: +43 6132 205-0

Fax: +43 6132 26938

info@artweger.com

www.artweger.com

www.artweger.com

www.twinline.artweger.com