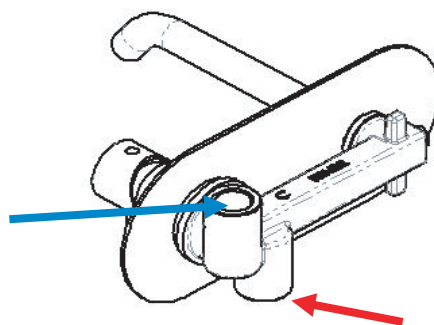
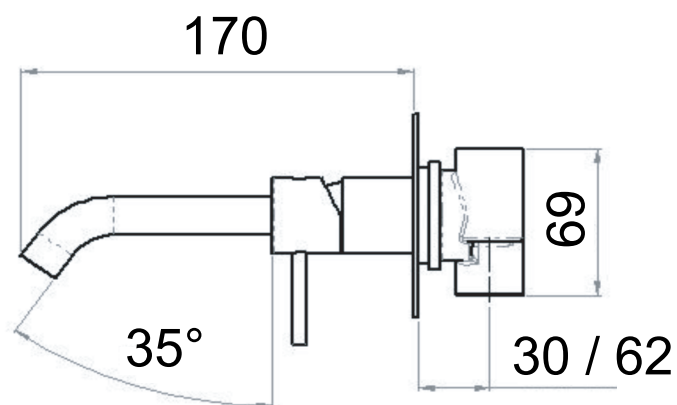
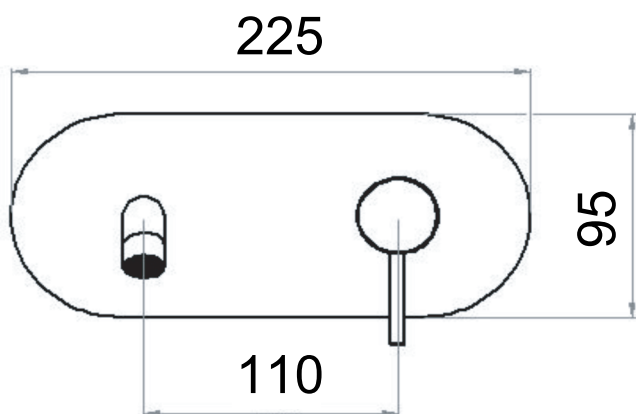




ACQUA  
FREDDA  
COLD  
WATER  
G1/2



ACQUA  
CALDA  
HOT  
WATER  
G1/2



**MATERIALI / MATERIALS**

OTTONE CROMATO / CHROME PLATED BRASS

**CROMATURA / CHROME PLATING**

UNI EN 248