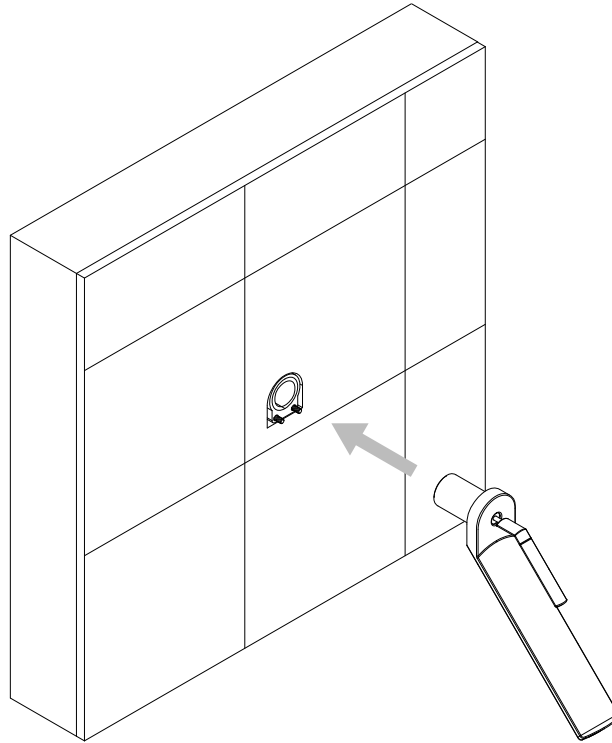


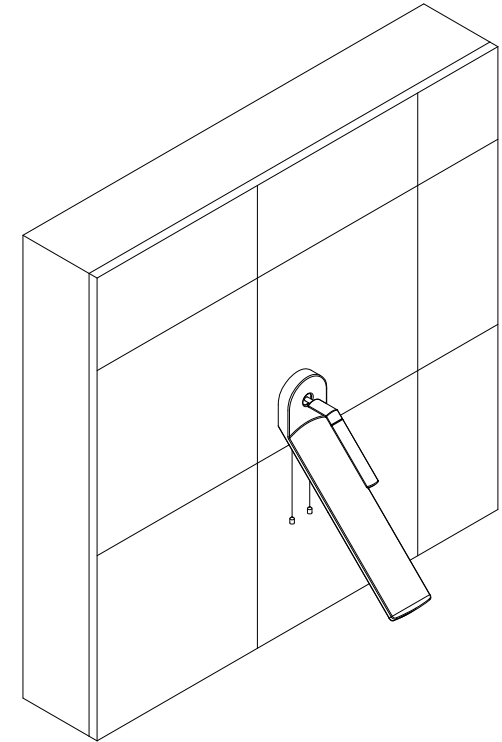
01

- screw the recessed part to the back of the wall, make a hole if necessary;
- connect the pipes to the inlet holes.




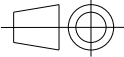
02

- complete the wall, including the finishing layer;
- be sure that the hole in the wall is not bigger than the spout assembly;
- insert the spout assembly in the recessed part by pushing it until it reaches the wall.



03

- fix the spout assembly by pushing the two provided caps into the holes located under the spout.

 ITALY e-mail: tecnico@oioli.com Via Pul Stretta, 10/12 28024 Gozzano (No) Italy Tel. 0322 956338 Fax 0322 912094	DATE	15-07-2016	SIGNATURE	PROJECT	SCALE	NOTE	
	DRAFTSMAN					MADE IN ITALY	
DESCRIPTION							ITEM
BASIN WALL MIXER ZEN - INSTALLATION INSTRUCTION							80702